

40 TH INTERNATIONAL YASAR DOGU WRESTLING TOURNAMENT



FILA

ANKARA (TUR)

2012-02-10 - 2012-02-12 2012

Résultats - Results

Lutte Libre - Free-Style



**Liste des arbitres / Referee list****40TH INTERNATIONAL YASAR DOGU WRESTLING TOURNAMENT**

N°	Licence	Pays Country	Nom - Last Name	Prénom - First Name
	1957	AZE	ALIYEV	GARIB
	03627	BUL	LUDMIL	KIRILOV
	3944	GEO	GELA	JIBLADZE
		IRI	KIANI	MANSOR
	4153	MDA	TROFIM	PIOTR
		MKD	NESRET	LIMANOV
		POL	MAKSYMIUK	ANDRZEY
		RUS	TSYRENOV	ALEXEY
		TUR	ARIKAN	YUSUF
		TUR	BASCI	HUSEYIN
		TUR	BAYKUS	SATILMIS
		TUR	CAKICI	BILAL
		TUR	CANSIZ	ALI
		TUR	CEKER	ABDULLAH
		TUR	DANACI	MEHMET ALI
		TUR	EFE	SEYIT
		TUR	ERBABA	IBRAHIM
		TUR	ERKAN	HARUN
		TUR	GOKDOGAN	ALI
		TUR	GUNANA	YASIN
		TUR	GURSOY	RECEP
		TUR	GUVEN	MUZAFFER
		TUR	KARPUZ	METIN
		TUR	KISHALI	NECIP FAZIL
		TUR	SAGIROGLU	OSMAN
		TUR	SAHIN	SULEYMAN
		TUR	TUNA	MUSTAFA
		TUR	UNVER	RAFET
		TUR	UYSAL	MEHMET
		TUR	YILMAZ	MUSA
		TUR	YUCEL	SADETTIN
		TUR	YUCEL	MEHMET GURHAN

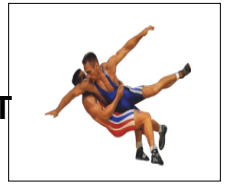
Nombre d'arbitres - Number of Referee

32



Liste des nations / Countries List

40TH INTERNATIONAL YASAR DOGU WRESTLING TOURNAMENT

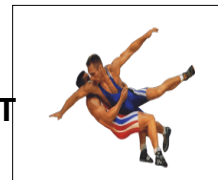


STYLE FS

Pays - Country

	AZERBAIJAN	AZE
	BULGARIA	BUL
	CANADA	CAN
	GEORGIA	GEO
	GERMANY	GER
	IRAN R.I.	IRI
	JAPAN	JPN
	KAZAKHSTAN	KAZ
	MOLDOVA	MDA
	MONGOLIA	MGL
	POLAND	POL
	RUSSIA	RUS
	SOUTH AFRICA	RSA
	TURKEY	TUR
	UNITED STATES	USA

Nombre de nations - Number of Countries 15

**Nombre d'engagés par nation / Number of Entries By Country****40TH INTERNATIONAL YASAR DOGU WRESTLING TOURNAMENT****STYLE FS**

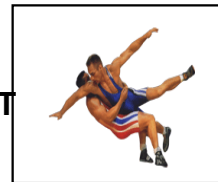
Pays - Country	55 KG	60 KG	66 KG	74 KG	84 KG	96 KG	120 KG	TOTAL
AZE	2	1	1	1	1	2	1	9
BUL		1	1	1	1	1	1	6
CAN		1		1				2
GEO	1	3	2	1	1	2	1	11
GER			1					1
IRI	1	1	2	2	2	2	2	12
JPN		1						1
KAZ	3	3	7	4	4	1	2	24
MDA		1	1	1	1	1		5
MGL		2						2
POL	1			3	3	2	1	10
RSA			1					1
RUS	7	5	1	4	1	1	1	20
TUR	12	10	10	19	14	12	10	87
USA	3	4	2		2	1	2	14
TOTAL	30	33	29	37	30	25	21	205

Nombre de nations - Number of Countries 15



Liste des Engagés par pays / Entry-List By Country

40TH INTERNATIONAL YASAR DOGU WRESTLING TOURNAMENT



STYLE FS

AZERBAIJAN (AZE)

Entraîneur / Coach :	ABSAIDOV, SAYPULLA
	UMUDOV, FIRDOVSI
Médecin / Medical Staff :	ZEYNALOV, SAMIR
Kiné / Medical Staff :	ISMAYILOV, SEYMUR
Lutteur(s) / Wrestler(s) :	
55 kg	GALIP, ALIYEV MAGOMEDOV, MAKHMUD
60 kg	ASGAROV, TOGHRUL
66 kg	HASANOV, JABRAIL
74 kg	ALIYEV, ASHRAF
84 kg	CHAMSULVARAYEV, CHAMSULVARA
96 kg	GAZYUMOV, KHETAG SHARIFOV, SARIF
120 kg	CEGISOV, ASLAN

BULGARIA (BUL)

Entraîneur / Coach :	SIMEON, CHTEREV
Kiné / Medical Staff :	BEYAZID, MAHMUT
Lutteur(s) / Wrestler(s) :	
60 kg	VLADIMIR, DUBOV
66 kg	LEONOID, BAZAN
74 kg	KIROV, MIROSLAV
84 kg	MIHAIL, GANEV
96 kg	GEORGI, SREDKOV
120 kg	DIMITAR, KUMCHEV

CANADA (CAN)

Entraîneur / Coach :	MCKAY, DAVID
Lutteur(s) / Wrestler(s) :	
60 kg	PINEDA, JOHN
74 kg	GENTRY, MATTHEW

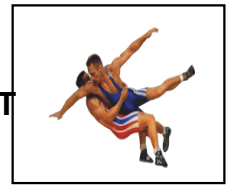
GEORGIA (GEO)

Entraîneur / Coach :	DAVIT, OTIASHVILI
Lutteur(s) / Wrestler(s) :	
55 kg	TRISTAN, CHIRGADZE
60 kg	BEQA, LOMTADZE



Liste des Engagés par pays / Entry-List By Country

40TH INTERNATIONAL YASAR DOGU WRESTLING TOURNAMENT



STYLE FS

66 kg	GIORGI, BALIASHVILI MURTAZ, KVESADZE
74 kg	GIORGI, TSUTSKIRIDZE SHALVA, MUZIASHVILI
84 kg	GIORGI, MARSAGISHVILI
96 kg	MARAD, ZOIDZE
120 kg	DATO, KERASHVILI MAMUKA, KORDZAIA
	LEVAN, SETURIDZE

GERMANY (GER)

Lutteur(s) / Wrestler(s) :

66 kg	DULGER, SAMET
-------	---------------

IRAN R.I. (IRI)

Chef de délégation / Team Leader :

BAYAT, ALI

Entraîneur / Coach :

TALAEI, MOHAMMAD

REZAEI, ALIREZA

HEIDARY, AGHIL

BABAEIJAFARI, ALI

HABIBI, HADI

Lutteur(s) / Wrestler(s) :

55 kg	SHEIKHI, MEHRAN
60 kg	MOHAMMADI, SEYED AHMAD
66 kg	NADERI, MOHAMMAD NASIRI, MEYSAM
74 kg	AFZALI PAEMAMI, REZA SHARIATY ADL, AMIR
84 kg	MIRZAEI, JAMAL MOSTAFAJOUKAR, MEISAM
96 kg	ABDOLMALEKI, ALI ASGHAR TALEB IZARRINKAMAR, HAMED
120 kg	MASOMI, FARDIN SADEGHZADEH NOUKOLAEI, JABER

JAPAN (JPN)

Chef de délégation / Team Leader :

INOUE, KENJI

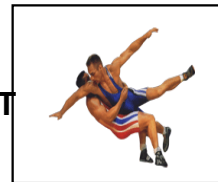
Lutteur(s) / Wrestler(s) :

60 kg	MAEDA, SHOGO
-------	--------------



Liste des Engagés par pays / Entry-List By Country

40TH INTERNATIONAL YASAR DOGU WRESTLING TOURNAMENT



STYLE FS

KAZAKHSTAN (KAZ)

Entraîneur / Coach : AMANOV, ABUTALIP

Arbitre(s) / Referee(s) : ALIYEV, GARIB

Lutteur(s) / Wrestler(s) :

55 kg	BEISEBAYEV, KAIYRZHAN PRIMBAYEV, BERDAKH UTENOV, RUSTEM
60 kg	BAKEYEV, AMANDYK NIYAZBEKOV, DAULET SHINGISOV, SHOKAN
66 kg	KOZHAKMEISV, ASKAR KULDUBEYEV, MUBKEN MUKHTAR, BEKOZY OMAROV, SAMAT SAKAEV, ASET SHYNGYSBAYEV, OLZHAS ZHUMAGAZIYEV, DAUREN
74 kg	IZBASSAROV, BAHHTIVAR SATYBALDIN, ILYAS USBERBAYEV, GALYMZHAN ZAKIROV, ZHIGER
84 kg	AKHANOV, DULAT BAIDUASHOV, YERMEK KAKHIDZE, AZLAN ONGARBAIOLY, ALTAY
96 kg	YAMAEV, ALIKHAN
120 kg	AGIYEV, MAGOMED AIKHANOV, SEULSEIT

MOLDOVA (MDA)

Chef de délégation / Team Leader : MARTA, PETRU

Lutteur(s) / Wrestler(s) :

60 kg	PREPELITA, ANDREI
66 kg	MOROI, IGOR
74 kg	DERMENJI, ROMAN
84 kg	GURMUZACHI, ION
96 kg	CEBAN, NICILAE

MONGOLIA (MGL)

Lutteur(s) / Wrestler(s) :

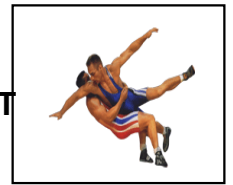
60 kg	BATCHULUUN, BATMAGNAI NARMANDAKH, LKHAMGARMAA
-------	--

POLAND (POL)



Liste des Engagés par pays / Entry-List By Country

40TH INTERNATIONAL YASAR DOGU WRESTLING TOURNAMENT



STYLE FS

Entraîneur / Coach : GARMULEWICZ, MAREK

Lutteur(s) / Wrestler(s) :

55 kg	HAYDUK, ADRIAN
74 kg	BEZOZOWSKI, KRYSZTOF ROGUSZ, TOMASZ SOBIERAY, ADAM
84 kg	BALAWENDER, MACIEJ BARANOAHSI, ZBIGNIEW MARCINKIEWICZ, RADOSZAW
96 kg	BARAN, RADOSZAW SKASKIEWICZ, KAMIL
120 kg	BARTNICKI, BARTZOMIEJ

RUSSIA (RUS)

Chef de délégation / Team Leader : SYASROSTIN, EGOR
SAFRONOV, ALEXANDER

Entraîneur / Coach : KONSTANTINOV, ARTUR

Lutteur(s) / Wrestler(s) :

55 kg	IVANOV, MIHAIL JAKOVLER, VLADIMIR KORHKIH, ALEXANDR MIHAILOV, AITAL PETROV, VALERIAN SLEPSOV, NIKOLAI SOFRONOV, VASILII
60 kg	ANISIMOV, AYAL BALOEV, BULAX BOGOMAEV, ALEKSANDR IVONOV, ANTON PONAMDREV, EGOR
66 kg	SHAPKIN, DMITRI
74 kg	ABAEV, ALIBEK CHERNOV, OLEG SEMENOV, CEMEHOS SIVTSEV, KUZMA
84 kg	SOFRONOV, ALEXANDER
96 kg	ARSLANBEK, ALIEV
120 kg	TIMOFEEV, UVAR

SOUTH AFRICA (RSA)

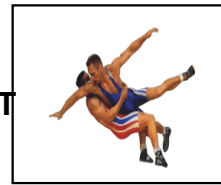
Lutteur(s) / Wrestler(s) :

66 kg	BARNES, HEINRICH
-------	------------------

TURKEY (TUR)



Liste des Engagés par pays / Entry-List By Country



40TH INTERNATIONAL YASAR DOGU WRESTLING TOURNAMENT

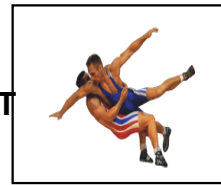
STYLE FS

Chef de délégation / Team Leader :	GUNDUZERI, MUSTAFA TOPUZ, YAKUP
Entraîneur / Coach :	TOPAKTAS, METIN ATMACA, MURAT CAKMAR, ABDULLAH FAIKOGLU, ISMAIL OZEN, ALI BEREKET, ADEM ILBAYHANOV, ISHAK MUSAOGLU, REMZI BASDEMIR, METIN
Médecin / Medical Staff :	-, -
Kiné / Medical Staff :	CELIK, AHMET
Lutteur(s) / Wrestler(s) :	
55 kg	AKGUL, SEZAR BULDUK, VEDAT CENGIZ, HAKAN DAYLAK, ZIYA KARABOGA, ALI KARSLI, IRFAN OZDAG, FATIH OZTOP, BERATI PARLAR, HAKAN PEKER, AHMET UZUN, NEBI YORULMAZ, IBRAHIM
60 kg	AKTAS, M RECEP BAYOGLU, MAHMUT DEMIR, MUHAMMET GUREL, HAKKI KARTAL, MUSTAFA KILICSALLAYAN, SELAHATTIN KUL, YASIN SAHIN, YASIN TOPAL, RECEP ZURNACI, ABDI
66 kg	ALTINISIK, DURSUN BENEKLI, YUSUF CALIK, SENOL COSKUN, SERVET GOCER, SUKRU GOR, YAKUP ILKHAN, MUHAMMET KAYA, MUSTAFA KUYUCU, MUSTAFA TAPAN, UFUK
74 kg	AKER, KADIR ALTIN, ABDULHAMIT BOLAT, YASIN CATAL, SERDAR COSKUN, ENDER DAMA, ZAFER



Liste des Engagés par pays / Entry-List By Country

40TH INTERNATIONAL YASAR DOGU WRESTLING TOURNAMENT



STYLE FS

	DEMIR, MUHAMMET DEMIRCIN, BATUHAN DEMIRTAS, SONER DILBER, HAMZA GURBUZ, MUSA KACMAZ, ERHAN KARA, NAZIM KASAPOGLU, MUSTAFA KOSE, YUSUF LALE, HAKAN OZMEN, ABDULKADIR SUCU, AYHAN TUYLU, MEHMET
84 kg	AKBAS, KUBILAY BILICI, AHMET BINICI, FIRAT BOKE, SERDAR BOLUKBASI, IBRAHIM CEYLAN, NUH CEYLAN, HAKKI CIHANGIROGLU, ERHAN DEMIRTAS, BEKIR DOGAN, ALI ERSAHIN, MUHARREM IMAMOGLU, ALI KORKMAZ, NAMIK OZKAN, MURAT
96 kg	AKKOYUN, FARUK GOCER, ISA GOR, KENAN GUNDUZ, HUSEYIN GUNGOR, ABDULLAH KOSEGLU, HAMZA MUTLU, MUREN OZDEMIR, MUSTAFA YAVASER, GOKHAN YILDIRIM, RIZA YUCEL, SERHAN ZENGIN, NURI
120 kg	AKGUL, TAHA AYNUR, OSMAN BOZKURT, SAKIR CAKIROGLU, FATIH GEMICI, TANJU GURBUZ, ALI KARABACAK, Y.EMRE KILIC, YASIN SOZEN, YALCIN YESIL YESIL, MEHMET

UNITED STATES (USA)

Entraîneur / Coach :

JONES, ZEKE

SEAY, JOE

KUTZ, JASON

Médecin / Medical Staff :

BROMAN, STEVE

MEKENZIE, OTIS



Liste des Engagés par pays / Entry-List By Country

40TH INTERNATIONAL YASAR DOGU WRESTLING TOURNAMENT



STYLE FS

Lutteur(s) / Wrestler(s) :

55 kg	BLANC, OBENSON ESCOBEDO, ANGEL ALESMO SIMMONS, NICHOLAS SCOTT
60 kg	BUNCH, SHAWN RONDELL HUMPHREY, REECE WESLEE SCOTT, COLEMAN LEWIS VALENTI, MATTHEW PHILLIP
66 kg	SCHLATTER, DUSTIN BRADLEY SIMPSON, PHILLIP MARTIN
84 kg	GAVIN, KEITH MICHAEL HASSEMAN, JEREMIAH BRYCE
96 kg	BERGMAN, JAMES DANIEL
120 kg	MOCCO, STEVEN SIGMAN, LES EVERETTE



Feuille de compétition / Competition Sheet

40TH INTERNATIONAL YASAR DOGU WRESTLING TOURNAMENT



STYLE : FS 55 kg

QUALIFICATION			1/8 FINALE			1/4 FINALE			1/2 FINALE			FINALE		
1	3	BEISEBAYEV K. (KAZ)				1	1	KAZ	P1	P2	P3			
2	3	MAGOMEDOV MAKHMUD (AZE)				2	3	AZE	P1	P2	P3			
3	3	UTENOV RUSTEM (KAZ)	P1	P2	P3	3	1	KAZ	P1	P2	P3			
			2	1	0				0	5	0			
4	0	CENGIZ HAKAN (TUR)	P1	P2	P3	6	0	TUR	P1	P2	P3			
			0	0	0				0	0	0			
5	1	PRIMBAYEV BERDAKH (KAZ)	P1	P2	P3	6	3	TUR	P1	P2	P3			
			8	2	1				3	7	0			
6	3	DAYLAK ZIYA (TUR)	P1	P2	P3									
			3	3	4									
7	3	OZTOP BERATI (TUR)	P1	P2	P3	7	3	TUR	P1	P2	P3			
			1	3	0				4	1	0			
8	0	YORULMAZ IBRAHIM (TUR)	P1	P2	P3	7	0	TUR	P1	P2	P3			
			0	0	0				1	0	0			
9	3	KARABOGA ALI (TUR)	P1	P2	P3	9	1	TUR	P1	P2	P3			
			2	0	2				1	0	0			
10	1	SOFRONOV VASILII (RUS)	P1	P2	P3									
			1	2	1									
11	3	PARLAR HAKAN (TUR)	P1	P2	P3	11	3	TUR	P1	P2	P3			
			2	4	0				4	0	2			
12	1	KARSLI IRFAN (TUR)	P1	P2	P3	11	5	TUR	P1	P2	P3			
			0	1	0				0	2	3			
13	1	SIMMONS N. (USA)	P1	P2	P3	14	1	RUS	P1	P2	P3			
			6	0	0				1	3	1			
14	3	IVANOV MIHAIL (RUS)	P1	P2	P3									
			0	1	1									
15	3	BLANC OBENSON (USA)	P1	P2	P3	15	0	USA	P1	P2	P3			
			1	0	1				0	0	0			
16	1	ESCOBEDO A. (USA)	P1	P2	P3	17	1	TUR	P1	P2	P3			
			0	1	0				4	0	2			
17	3	PEKER AHMET (TUR)	P1	P2	P3	17	3	TUR	P1	P2	P3			
			3	0	4				2	1	0			
18	1	AKGUL SEZAR (TUR)	P1	P2	P3									
			0	1	0									
19	3	TRISTAN CHIRGADZE (GEO)	P1	P2	P3	19	3	GEO	P1	P2	P3			
			3	2	0				3	4	0			
20	0	PETROV VALERIAN (RUS)	P1	P2	P3	19	3	GEO	P1	P2	P3			
			0	0	0				2	2	3			
21	3	MIHAILOV AITAL (RUS)	P1	P2	P3	21	1	RUS	P1	P2	P3			
			1	0	6				1	3	0			
22	1	OZDAG FATIH (TUR)	P1	P2	P3									
			0	6	0									
23	3	BULDUK VEDAT (TUR)	P1	P2	P3	23	3	TUR	P1	P2	P3			
			0	5	3				1	0	4			
24	1	GALIP ALIYEV (AZE)	P1	P2	P3	23	3	TUR	P1	P2	P3			
			3	4	2				1	8	0			
25	0	KORHKIH ALEXANDR (RUS)	P1	P2	P3	26	1	IRI	P1	P2	P3			
			0	0	0				0	4	3			
26	3	SHEIKHI MEHRAN (IRI)	P1	P2	P3									
			1	2	0									
27	1	JAKOVLER VLADIMIR (RUS)	P1	P2	P3	28	1	RUS	P1	P2	P3			
			3	0	0				0	3	0			
28	3	SLEPSOV NIKOLAI (RUS)	P1	P2	P3	29	1	TUR	P1	P2	P3			
			6	1	0				0	3	0			
29	3	UZUN NEBI (TUR)	P1	P2	P3									
			3	2	0									
30	0	HAYDUK ADRIAN (POL)	P1	P2	P3	29	3	TUR	P1	P2	P3			
			0	0	0				1	5	0			

MAGOMEDOV MAKHMUD (AZE)

Classement

Cl	Pays	Nom
1	AZE	MAGOMEDOV MAKHMUD
2	TUR	BULDUK VEDAT
3	KAZ	BEISEBAYEV KAIYRZHAN
3	AZE	GALIP ALIYEV
5	TUR	PARLAR HAKAN
5	GEO	TRISTAN CHIRGADZE
7	TUR	UZUN NEBI
8	TUR	DAYLAK ZIYA
9	TUR	PEKER AHMET
10	TUR	OZTOP BERATI
11	IRI	SHEIKHI MEHRAN
12	RUS	MIHAILOV AITAL
13	RUS	SLEPSOV NIKOLAI
14	KAZ	UTENOV RUSTEM
15	RUS	IVANOV MIHAIL
16	TUR	KARABOGA ALI
17	USA	BLANC OBENSON
18	USA	SIMMONS NICHOLAS SCOTT
19	TUR	OZDAG FATIH
20	KAZ	PRIMBAYEV BERDAKH
21	RUS	SOFRONOV VASILII
22	RUS	JAKOVLER VLADIMIR
23	USA	ESCOBEDO ANGEL ALESMO
24	TUR	KARSLI IRFAN
25	TUR	AKGUL SEZAR
26	RUS	KORHKIH ALEXANDR
26	TUR	CENGIZ HAKAN
28	TUR	YORULMAZ IBRAHIM
29	POL	HAYDUK ADRIAN
29	RUS	PETROV VALERIAN

REPECHAGE

REPECHAGE FINALISTE 1

1	3	KAZ	P1	P2	P3	1	3	KAZ	P1	P2	P3
			5	2	0				2	4	0
6	1	TUR	P1	P2	P3	11	1	TUR	P1	P2	P3
			4	0	0				0	3	0
1 BEISEBAYEV K. (KAZ)			Mdaille de Bronze								

REPECHAGE FINALISTE 2

24	3	AZE	P1	P2	P3	24	3	AZE	P1	P2	P3
			3	6	0				4	2	0
26	1	IRI	P1	P2	P3	24	3	AZE	P1	P2	P3
			1	1	0				2	6	0
29	1	TUR	P1	P2	P3	19	1	GEO	P1	P2	P3
			3	0	0				1	0	0
24 GALIP ALIYEV (AZE)			Mdaille de Bronze								



40

Classement

TH INTERNATIONAL YASAR DOGU WRESTLING TOURNAMENT



STYLE : FS 55 kg

1 - Or / Gold



MAGOMEDOV MAKHMUD

2 - Argent / Silver



BULDUK VEDAT

3 - Bronze



BEISEBAYEV KAIYRZHAN



GALIP ALIYEV

Classement	Nom - Name	Pays - Country
1	MAGOMEDOV MAKHMUD	AZE
2	BULDUK VEDAT	TUR
3	BEISEBAYEV K.	KAZ
3	GALIP ALIYEV	AZE
5	PARLAR HAKAN	TUR
5	TRISTAN CHIRGADZE	GEO
7	UZUN NEBI	TUR
8	DAYLAK ZIYA	TUR
9	PEKER AHMET	TUR
10	OZTOP BERATI	TUR
11	SHEIKHI MEHRAN	IRI
12	MIHAILOV AITAL	RUS
13	SLEPSOV NIKOLAI	RUS
14	UTENOV RUSTEM	KAZ
15	IVANOV MIHAIL	RUS
16	KARABOGA ALI	TUR
17	BLANC OBENSON	USA
18	SIMMONS N.	USA
19	OZDAG FATIH	TUR
20	PRIMBAYEV BERDAKH	KAZ
21	SOFRONOV VASILII	RUS
22	JAKOVLER VLADIMIR	RUS
23	ESCOBEDO A.	USA
24	KARSLI IRFAN	TUR
25	AKGUL SEZAR	TUR
26	KORHKIH ALEXANDR	RUS
26	CENGIZ HAKAN	TUR
28	YORULMAZ IBRAHIM	TUR
29	HAYDUK ADRIAN	POL
29	PETROV VALERIAN	RUS



40

Feuille de compétition / Competition Sheet

40TH INTERNATIONAL YASAR DOGU WRESTLING TOURNAMENT

STYLE : FS 60 kg

QUALIFICATION			1/16 Finale			1/8 FINALE											
1	1	ANISIMOV AYAL (RUS)	P1	P2	P3	1	3	ANISIMOV AYAL (RUS)	P1	P2	P3	1	1	RUS	P1	P2	P3
			1	0	0				0	1	2				0	1	0
2	1	BUNCH S. (USA)	P1	P2	P3	2	1	BUNCH S. (USA)	P1	P2	P3	3	2	TUR	P1	P2	P3
			1	0	0				1	0	0				1	1	1
3	1	AKTAS M RECEP (TUR)	P1	P2	P3	3	3	AKTAS M RECEP (TUR)	P1	P2	P3	5	1	BUL	P1	P2	P3
			1	0	0				2	1	0				0	3	0
4	1	BATCHULUUN B. (MGL)	P1	P2	P3	4	0	BATCHULUUN B. (MGL)	P1	P2	P3	10	1	CAN	P1	P2	P3
			1	0	0				0	0	0				1	0	0
5	1	VLADIMIR DUBOV (BUL)	P1	P2	P3	5	3	VLADIMIR DUBOV (BUL)	P1	P2	P3	16	3	RUS	P1	P2	P3
			1	0	0				1	6	0				0	3	1
6	1	KILICSALLAYAN S. (TUR)	P1	P2	P3	6	0	KILICSALLAYAN S. (TUR)	P1	P2	P3	17	3	IRI	P1	P2	P3
			1	0	0				0	0	0				1	3	4
7	1	MAEDA SHOGO (JPN)	P1	P2	P3	7	1	MAEDA SHOGO (JPN)	P1	P2	P3	17	3	IRI	P1	P2	P3
			1	0	0				1	0	0				1	3	4
8	1	HUMPHREY R. (USA)	P1	P2	P3	8	3	HUMPHREY R. (USA)	P1	P2	P3	20	1	GEO	P1	P2	P3
			1	0	0				0	1	6				2	0	0
9	1	BAYOGLU MAHMUT (TUR)	P1	P2	P3	9	0	BAYOGLU MAHMUT (TUR)	P1	P2	P3	20	1	GEO	P1	P2	P3
			1	0	0				1	0	0				2	0	0
10	1	PINEDA JOHN (CAN)	P1	P2	P3	10	5	PINEDA JOHN (CAN)	P1	P2	P3	20	3	IRI	P1	P2	P3
			1	0	0				1	3	0				1	3	4
11	1	DEMIR MUHAMMET (TUR)	P1	P2	P3	11	3	DEMIR MUHAMMET (TUR)	P1	P2	P3	22	1	RUS	P1	P2	P3
			1	0	0				1	3	0				0	1	0
12	1	BEQA LOMTADZE (GEO)	P1	P2	P3	12	0	BEQA LOMTADZE (GEO)	P1	P2	P3	22	5	BALOEV BULAX (RUS)	P1	P2	P3
			1	0	0				0	0	0				0	3	0
13	1	GUREL HAKKI (TUR)	P1	P2	P3	13	3	GUREL HAKKI (TUR)	P1	P2	P3	23	1	VALENTI M. (USA)	P1	P2	P3
			1	0	0				1	2	0				1	0	0
14	1	PREPELITA ANDREI (MDA)	P1	P2	P3	14	1	PREPELITA ANDREI (MDA)	P1	P2	P3	24	3	TUR	P1	P2	P3
			1	0	0				0	1	0				1	1	0
15	1	SHINGISOV SHOKAN (KAZ)	P1	P2	P3	15	1	SHINGISOV SHOKAN (KAZ)	P1	P2	P3	25	3	USA	P1	P2	P3
			1	0	0				0	3	0				1	5	0
16	1	IVONOV ANTON (RUS)	P1	P2	P3	16	3	IVONOV ANTON (RUS)	P1	P2	P3	26	1	NIAZBEKOV DAULET (KAZ)	P1	P2	P3
			1	0	0				2	10	0				1	1	1
17	1	MOHAMMADI S. (IRI)	P1	P2	P3	17	3	MOHAMMADI S. (IRI)	P1	P2	P3	27	1	ZURNACI ABDI (TUR)	P1	P2	P3
			1	0	0				2	4	0				1	1	0
18	1	KUL YASIN (TUR)	P1	P2	P3	18	1	KUL YASIN (TUR)	P1	P2	P3	28	1	TUR	P1	P2	P3
			1	0	0				0	2	0				0	1	0
19	1	SAHIN YASIN (TUR)	P1	P2	P3	19	1	SAHIN YASIN (TUR)	P1	P2	P3	29	3	RUS	P1	P2	P3
			1	0	0				0	2	0				2	4	0
20	1	GIORGI BALIASHVILI (GEO)	P1	P2	P3	20	3	GIORGI BALIASHVILI (GEO)	P1	P2	P3	30	1	MURTAZ KVESADZE (GEO)	P1	P2	P3
			1	0	0				1	8	0				1	0	0
21	1	ASGAROV TOGHRUL (AZE)	P1	P2	P3	21	0	ASGAROV TOGHRUL (AZE)	P1	P2	P3	31	1	NARMANDAKH L. (MGL)	P1	P2	P3
			1	0	0				5	2	0				0	5	0
22	1	BALOEV BULAX (RUS)	P1	P2	P3	22	5	BALOEV BULAX (RUS)	P1	P2	P3	32	0	PONAMDREV EGOR (RUS)	P1	P2	P3
			1	0	0				0	3	0				0	0	0
23	1	VALENTI M. (USA)	P1	P2	P3	23	1	VALENTI M. (USA)	P1	P2	P3	33	3	BAKEYEV AMANDYK (KAZ)	P1	P2	P3
			1	0	0				1	0	0				1	5	1
24	1	KARTAL MUSTAFA (TUR)	P1	P2	P3	24	3	KARTAL MUSTAFA (TUR)	P1	P2	P3	33	0	BAKEYEV AMANDYK (KAZ)	P1	P2	P3
			1	0	0				0	1	1				0	0	0
25	1	SCOTT C. (USA)	P1	P2	P3	25	3	SCOTT C. (USA)	P1	P2	P3	33	3	BAKEYEV AMANDYK (KAZ)	P1	P2	P3
			1	0	0				1	1	1				1	5	1
26	1	NIAZBEKOV DAULET (KAZ)	P1	P2	P3	26	1	NIAZBEKOV DAULET (KAZ)	P1	P2	P3	33	0	BAKEYEV AMANDYK (KAZ)	P1	P2	P3
			1	0	0				1	1	1				0	0	0
27	1	ZURNACI ABDI (TUR)	P1	P2	P3	27	1	ZURNACI ABDI (TUR)	P1	P2	P3	33	0	BAKEYEV AMANDYK (KAZ)	P1	P2	P3
			1	0	0				1	1	0				0	0	0
28	1	TOPAL RECEP (TUR)	P1	P2	P3	28	3	TOPAL RECEP (TUR)	P1	P2	P3	33	0	BAKEYEV AMANDYK (KAZ)	P1	P2	P3
			1	0	0				0	1	1				0	0	0
29	1	BOGOMAEV ALEKSAND (RUS)	P1	P2	P3	29	3	BOGOMAEV ALEKSAND (RUS)	P1	P2	P3	33	0	BAKEYEV AMANDYK (KAZ)	P1	P2	P3
			1	0	0				2	4	0				0	0	0
30	1	MURTAZ KVESADZE (GEO)	P1	P2	P3	30	1	MURTAZ KVESADZE (GEO)	P1	P2	P3	33	0	BAKEYEV AMANDYK (KAZ)	P1	P2	P3
			1	0	0				1	0	0				0	0	0
31	1	NARMANDAKH L. (MGL)	P1	P2	P3	31	1	NARMANDAKH L. (MGL)	P1	P2	P3	33	0	BAKEYEV AMANDYK (KAZ)	P1	P2	P3
			1	0	0				0	5	0				0	0	0
32	0	PONAMDREV EGOR (RUS)	P1	P2	P3	32	0	PONAMDREV EGOR (RUS)	P1	P2	P3	33	0	BAKEYEV AMANDYK (KAZ)	P1	P2	P3
			1	0	0				0	0	0				0	0	0
33	3	BAKEYEV AMANDYK (KAZ)	P1	P2	P3	33	3	BAKEYEV AMANDYK (KAZ)	P1	P2	P3	33	0	BAKEYEV AMANDYK (KAZ)	P1	P2	P3
			1	2	0				1	5	1				0	0	0



Feuille de compétition / Competition Sheet

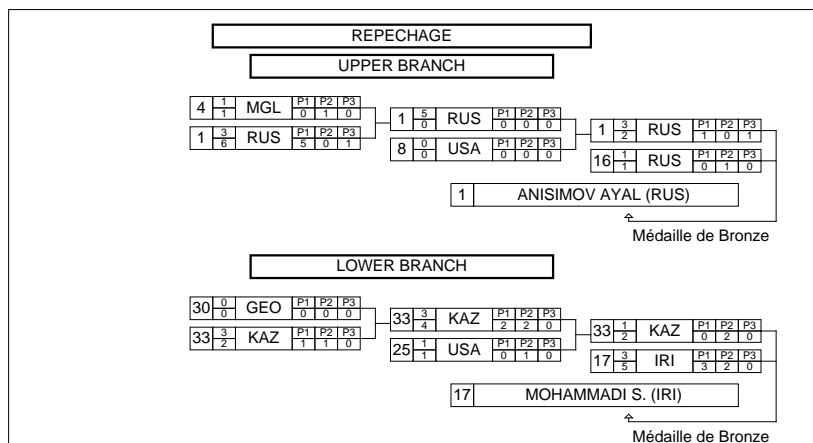
40TH INTERNATIONAL YASAR DOGU WRESTLING TOURNAMENT

STYLE : FS 60 kg



Classement

Cl	Pays	Nom
1	RUS	BOGOMAEV ALEKSAND
2	TUR	AKTAS M RECEP
3	RUS	ANISIMOV AYAL
3	IRI	MOHAMMADI SEYED AHMAD
5	RUS	IVONOV ANTON
5	KAZ	BAKEYEV AMANDYK
7	USA	SCOTT COLEMAN LEWIS
8	TUR	DEMIR MUHAMMET
9	CAN	PINEDA JOHN
10	RUS	BALOEV BULAX
11	USA	HUMPHREY REECE WESLEE
12	TUR	KARTAL MUSTAFA
13	GEO	GIORGI BALIASHVILI
14	BUL	VLADIMIR DUBOV
15	TUR	GUREL HAKKI
16	TUR	TOPAL RECEP
17	MGL	NARMANDAKH LKHAMGARMAA
18	KAZ	NIYAZBEKOV DAULET
19	KAZ	SHINGISOV SHOKAN
20	TUR	ZURNACI ABDI





Classement

40TH INTERNATIONAL YASAR DOGU WRESTLING TOURNAMENT



STYLE : FS 60 kg

1 - Or / Gold



BOGOMAEV ALEKSAND

2 - Argent / Silver



AKTAS M RECEP

3 - Bronze



ANISIMOV AYAL



MOHAMMADI SEYED AHMAD

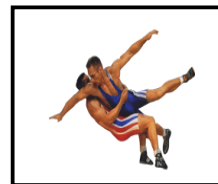
Classement	Nom - Name	Pays - Country
1	BOGOMAEV ALEKSAND	RUS
2	AKTAS M RECEP	TUR
3	ANISIMOV AYAL	RUS
3	MOHAMMADI S.	IRI
5	IVONOV ANTON	RUS
5	BAKEYEV AMANDYK	KAZ
7	SCOTT COLEMAN LEWIS	USA
8	DEMIR MUHAMMET	TUR
9	PINEDA JOHN	CAN
10	BALOEV BULAX	RUS
11	HUMPHREY R.	USA
12	KARTAL MUSTAFA	TUR
13	GIORGI BALIASHVILI	GEO
14	VLADIMIR DUBOV	BUL
15	GUREL HAKKI	TUR
16	TOPAL RECEP	TUR
17	NARMANDAKH L.	MGL
18	NIYAZBEKOV DAULET	KAZ
19	SHINGISOV SHOKAN	KAZ
20	ZURNACI ABDI	TUR
21	KUL YASIN	TUR
22	SAHIN YASIN	TUR
23	VALENTI M.	USA
24	BUNCH SHAWN RONDELL	USA
24	PREPELITA ANDREI	MDA
26	MAEDA SHOGO	JPN
27	MURTAZ KVESADZE	GEO
28	BATCHULUUN B.	MGL
29	ASGAROV TOGHRUL	AZE
30	BAYOGLU MAHMUT	TUR



Classement

40TH INTERNATIONAL YASAR DOGU WRESTLING TOURNAMENT

STYLE : FS 60 kg



<i>Classement</i>	<i>Nom - Name</i>	<i>Pays - Country</i>
31	PONAMDREV EGOR	RUS
32	BEQA LOMTADZE	GEO
33	KILICSALLAYAN S.	TUR



Feuille de compétition / Competition Sheet

40TH INTERNATIONAL YASAR DOGU WRESTLING TOURNAMENT



STYLE : FS 66 kg

QUALIFICATION				1/8 FINALE				1/4 FINALE				1/2 FINALE				FINALE																	
1		ZHUMAGAZIYEV D. (KAZ)						1	1	KAZ	P1	P2	P3																				
								1	4		4	0	0																				
2		HASANOV JABRAIL (AZE)						2	3	AZE	P1	P2	P3																				
								2	8		6	2	0																				
3		LEONOID BAZAN (BUL)						3	1	BUL	P1	P2	P3																				
								3	2		0	2	0																				
4	3	SHAPKIN DMITRI (RUS)	P1	P2	P3			4	3	RUS	P1	P2	P3																				
	5		4	1	0			4	5		1	4	0																				
5	1	ALTINISIK DURSUN (TUR)	P1	P2	P3			7	3	TUR	P1	P2	P3																				
	1		1	0	0			7	4		0	1	3																				
6	1	KULDUBEYEV MUBKEN (KAZ)	P1	P2	P3			8	1	GEO	P1	P2	P3																				
	4		3	0	1			8	3		1	0	2																				
7	3	ILKHAN MUHAMMET (TUR)	P1	P2	P3			10	5	TUR	P1	P2	P3																				
	2		0	1	1			10	11		1	6	4																				
8	3	GIORGI T. (GEO)	P1	P2	P3			10	3	TUR	P1	P2	P3																				
	5		0	3	2			10	8		1	7	0																				
9	1	SAKAEV ASET (KAZ)	P1	P2	P3			13	0	KAZ	P1	P2	P3																				
	4		2	2	0			13	5		2	1	2																				
10	5	KAYA MUSTAFA (TUR)	P1	P2	P3			15	0	GER	P1	P2	P3																				
	3		0	3	0			15	7		0	0	0																				
11	0	SIMPSON P. (USA)	P1	P2	P3			17	1	IRI	P1	P2	P3																				
	1		1	0	0			17	3		2	5	0																				
12	1	TAPAN UFUK (TUR)	P1	P2	P3			19	3	IRI	P1	P2	P3																				
	6		4	2	0			19	7		2	1	1																				
13	3	MUKHTAR BEKOZY (KAZ)	P1	P2	P3			19	3	IRI	P1	P2	P3																				
	8		2	3	3			19	7		0	1	1																				
14	1	SHYNGYSBAYEV O. (KAZ)	P1	P2	P3			21	1	MDA	P1	P2	P3																				
	2		1	1	0			21	1		1	0	0																				
15	3	DULGER SAMET (GER)	P1	P2	P3			22	0	TUR	P1	P2	P3																				
	7		2	5	0			22	2		0	2	0																				
16	1	CALIK SENOL (TUR)	P1	P2	P3			25	5	GEO	P1	P2	P3																				
	1		0	1	0			25	7		1	2	4																				
17	3	NADERI MOHAMMAD (IRI)	P1	P2	P3			27	3	TUR	P1	P2	P3																				
	3		2	1	0			27	2		1	1	0																				
18	1	GOCER SUKRU (TUR)	P1	P2	P3			27	3	TUR	P1	P2	P3																				
	5		0	5	0			27	4		1	3	0																				
19	3	NASIRI MEYSAM (IRI)	P1	P2	P3			28	0	TUR	P1	P2	P3																				
	7		2	5	0			28	0		0	0	0																				
20	0	BARNES HEINRICH (RSA)	P1	P2	P3			25	1	GEO	P1	P2	P3																				
	2		2	0	0			25	1		0	1	0																				
21	5	MORO I IGOR (MDA)	P1	P2	P3			27	3	TUR	P1	P2	P3																				
	4		4	0	0			27	2		1	1	0																				
22	3	BENEKLI YUSUF (TUR)	P1	P2	P3			27	3	TUR	P1	P2	P3																				
	2		0	1	1			27	4		1	3	0																				
23	1	SCHLATTER D. (USA)	P1	P2	P3			28	0	TUR	P1	P2	P3																				
	1		1	0	0			28	0		0	0	0																				
24	0	COSKUN SERVET (TUR)	P1	P2	P3			25	1	GEO	P1	P2	P3																				
	0		0	0	0			25	1		0	1	0																				
25	3	SHALVA MUZIASHVILI (GEO)	P1	P2	P3			27	3	TUR	P1	P2	P3																				
	4		1	3	0			27	2		1	1	0																				
26	1	OMAROV SAMAT (KAZ)	P1	P2	P3			27	3	TUR	P1	P2	P3																				
	2		1	1	0			27	4		1	3	0																				
27	3	GOR YAKUP (TUR)	P1	P2	P3			28	0	TUR	P1	P2	P3																				
	3		1	2	0			28	0		0	0	0																				
28	3	KUYUCU MUSTAFA (TUR)	P1	P2	P3			25	1	GEO	P1	P2	P3																				
	3		0	2	1			25	1		0	1	0																				
29	1	KOZHAKMEISV ASKAR (KAZ)	P1	P2	P3			19	3	IRI	P1	P2	P3																				
	2		2	0	0			19	8		0	2	6																				

27 GOR YAKUP (TUR)

Classement

Cl	Pays	Nom
1	TUR	GOR YAKUP
2	TUR	KAYA MUSTAFA
3	AZE	HASANOV JABRAIL
3	IRI	NASIRI MEYSAM
5	KAZ	MUKHTAR BEKOZY
5	KAZ	OMAROV SAMAT
7	GEO	SHALVA MUZIASHVILI
8	IRI	NADERI MOHAMMAD
9	MDA	MORO I IGOR
10	RUS	SHAPKIN DMITRI
11	TUR	ILKHAN MUHAMMET
12	GEO	GIORGI TSUTSKIRIDZE
13	GER	DULGER SAMET
14	TUR	BENEKLI YUSUF
15	TUR	KUYUCU MUSTAFA
16	TUR	TAPAN UFUK
17	TUR	GOCER SUKRU
18	USA	SIMPSON PHILLIP MARTIN
19	KAZ	KULDUBEYEV MUBKEN
20	KAZ	SAKAEV ASET
21	KAZ	ZHUMAGAZIYEV DAUREN
22	KAZ	KOZHAKMEISV ASKAR
23	BUL	LEONOID BAZAN
24	KAZ	SHYNGYSBAYEV OLZHAS
25	USA	SCHLATTER DUSTIN BRADLEY
26	TUR	CALIK SENOL
27	TUR	ALTINISIK DURSUN
28	RSA	BARNES HEINRICH
29	TUR	COSKUN SERVET

REPECHAGE

REPECHAGE FINALISTE 1

11	1	USA	P1	P2	P3			13	5	KAZ	P1	P2	P3		
	4		0	0	4			13	0		0	0	0		
13	3	KAZ	P1	P2	P3			7	0	TUR	P1	P2	P3		
	7		2	5	0			7	0		0	0	0		

2 HASANOV JABRAIL (AZE)

Mdaille de Bronze

REPECHAGE FINALISTE 2

26	5	KAZ	P1	P2	P3			26	3	KAZ	P1	P2	P3		
	0		0	0	0			26	2		1	1	0		
28	0	TUR	P1	P2	P3			25	1	GEO	P1	P2	P3		
	0		0	0	0			25	1		0	1	0		



40

Classement

TH INTERNATIONAL YASAR DOGU WRESTLING TOURNAMENT



STYLE : FS 66 kg

1 - Or / Gold



GOR YAKUP

2 - Argent / Silver



KAYA MUSTAFA

3 - Bronze



HASANOV JABRAIL



NASIRI MEYSAM

Classement	Nom - Name	Pays - Country
1	GOR YAKUP	TUR
2	KAYA MUSTAFA	TUR
3	HASANOV JABRAIL	AZE
3	NASIRI MEYSAM	IRI
5	MUKHTAR BEKOZY	KAZ
5	OMAROV SAMAT	KAZ
7	SHALVA MUZIASHVILI	GEO
8	NADERI MOHAMMAD	IRI
9	MOROI IGOR	MDA
10	SHAPKIN DMITRI	RUS
11	ILKHAN MUHAMMET	TUR
12	GIORGI TSUTSKIRIDZE	GEO
13	DULGER SAMET	GER
14	BENEKLI YUSUF	TUR
15	KUYUCU MUSTAFA	TUR
16	TAPAN UFUK	TUR
17	GOCER SUKRU	TUR
18	SIMPSON P.	USA
19	KULDUBEYEV MUBKEN	KAZ
20	SAKAEV ASET	KAZ
21	ZHUMAGAZIYEV DAUREN	KAZ
22	KOZHAKMEISV ASKAR	KAZ
23	LEONOID BAZAN	BUL
24	SHYNGYSBAYEV OLZHAS	KAZ
25	SCHLATTER D.	USA
26	CALIK SENOL	TUR
27	ALTINISIK DURSUN	TUR
28	BARNES HEINRICH	RSA
29	COSKUN SERVET	TUR



40

Feuille de compétition / Competition Sheet

40TH INTERNATIONAL YASAR DOGU WRESTLING TOURNAMENT



STYLE : FS 74 kg

QUALIFICATION			1/16 Finale			1/8 FINALE											
1	$\frac{3}{8}$	DERMENJI ROMAN (MDA)	P1	P2	P3	0	2	6									
	$\frac{3}{8}$		P1	P2	P3	0	2	6	1	1	DERMENJI ROMAN (MDA)	P1	P2	P3	0	1	0
2	$\frac{3}{8}$	DEMIRTAS SONER (TUR)	P1	P2	P3	0	2	6									
	$\frac{3}{8}$		P1	P2	P3	0	2	6	2	$\frac{3}{2}$	TUR	P1	P2	P3	1	1	0
3	$\frac{3}{8}$	DEMIRCIN BATUHAN (TUR)	P1	P2	P3	0	2	6									
	$\frac{3}{8}$		P1	P2	P3	0	2	6	3	$\frac{3}{4}$	DEMIRCIN BATUHAN (TUR)	P1	P2	P3	3	0	1
4	$\frac{3}{8}$	BOLAT YASIN (TUR)	P1	P2	P3	0	2	6									
	$\frac{3}{8}$		P1	P2	P3	0	2	6	4	$\frac{1}{2}$	BOLAT YASIN (TUR)	P1	P2	P3	0	2	0
5	$\frac{3}{8}$	KARA NAZIM (TUR)	P1	P2	P3	0	2	6									
	$\frac{3}{8}$		P1	P2	P3	0	2	6	5	0	KARA NAZIM (TUR)	P1	P2	P3	0	1	0
6	$\frac{3}{8}$	ALTIN ABDULHAMIT (TUR)	P1	P2	P3	0	2	6									
	$\frac{3}{8}$		P1	P2	P3	0	2	6	6	$\frac{5}{8}$	ALTIN ABDULHAMIT (TUR)	P1	P2	P3	3	5	0
7	$\frac{3}{8}$	CHERNOV OLEG (RUS)	P1	P2	P3	0	2	6									
	$\frac{3}{8}$		P1	P2	P3	0	2	6	7	1	CHERNOV OLEG (RUS)	P1	P2	P3	0	1	0
8	$\frac{3}{8}$	SHARIATY ADL AMIR (IRI)	P1	P2	P3	0	2	6									
	$\frac{3}{8}$		P1	P2	P3	0	2	6	8	$\frac{3}{5}$	SHARIATY ADL AMIR (IRI)	P1	P2	P3	1	0	4
9	$\frac{3}{8}$	AKER KADIR (TUR)	P1	P2	P3	0	2	6									
	$\frac{3}{8}$		P1	P2	P3	0	2	6	9	$\frac{1}{2}$	AKER KADIR (TUR)	P1	P2	P3	0	2	0
10	$\frac{3}{8}$	DEMIR MUHAMMET (TUR)	P1	P2	P3	0	2	6									
	$\frac{3}{8}$		P1	P2	P3	0	2	6	10	$\frac{3}{3}$	DEMIR MUHAMMET (TUR)	P1	P2	P3	1	0	2
11	$\frac{3}{8}$	ALIYEV ASHRAF (AZE)	P1	P2	P3	0	2	6									
	$\frac{3}{8}$		P1	P2	P3	0	2	6	11	$\frac{3}{4}$	ALIYEV ASHRAF (AZE)	P1	P2	P3	2	2	0
12	$\frac{3}{8}$	DAMA ZAFER (TUR)	P1	P2	P3	0	2	6									
	$\frac{3}{8}$		P1	P2	P3	0	2	6	12	0	DAMA ZAFER (TUR)	P1	P2	P3	0	0	0
13	$\frac{3}{8}$	AFZALI PAEMAMI R. (IRI)	P1	P2	P3	0	2	6									
	$\frac{3}{8}$		P1	P2	P3	0	2	6	13	$\frac{3}{6}$	AFZALI PAEMAMI R. (IRI)	P1	P2	P3	0	2	4
14	$\frac{3}{8}$	CATAL SERDAR (TUR)	P1	P2	P3	0	2	6									
	$\frac{3}{8}$		P1	P2	P3	0	2	6	14	$\frac{1}{1}$	CATAL SERDAR (TUR)	P1	P2	P3	1	0	0
15	$\frac{3}{8}$	DILBER HAMZA (TUR)	P1	P2	P3	0	2	6									
	$\frac{3}{8}$		P1	P2	P3	0	2	6	15	$\frac{1}{1}$	DILBER HAMZA (TUR)	P1	P2	P3	1	0	0
16	$\frac{3}{8}$	IZBASSAROV B. (KAZ)	P1	P2	P3	0	2	6									
	$\frac{3}{8}$		P1	P2	P3	0	2	6	16	$\frac{3}{8}$	IZBASSAROV B. (KAZ)	P1	P2	P3	8	2	0
17	$\frac{3}{8}$	KACMAZ ERHAN (TUR)	P1	P2	P3	0	2	6									
	$\frac{3}{8}$		P1	P2	P3	0	2	6	17	$\frac{3}{2}$	KACMAZ ERHAN (TUR)	P1	P2	P3	1	0	1
18	$\frac{3}{8}$	USBERBAYEV G. (KAZ)	P1	P2	P3	0	2	6									
	$\frac{3}{8}$		P1	P2	P3	0	2	6	18	$\frac{1}{1}$	USBERBAYEV G. (KAZ)	P1	P2	P3	0	1	0
19	$\frac{3}{8}$	SUCU AYHAN (TUR)	P1	P2	P3	0	2	6									
	$\frac{3}{8}$		P1	P2	P3	0	2	6	19	$\frac{3}{6}$	SUCU AYHAN (TUR)	P1	P2	P3	1	4	1
20	$\frac{3}{8}$	KOSE YUSUF (TUR)	P1	P2	P3	0	2	6									
	$\frac{3}{8}$		P1	P2	P3	0	2	6	20	$\frac{1}{1}$	KOSE YUSUF (TUR)	P1	P2	P3	1	0	0
21	$\frac{3}{8}$	ABAEV ALIBEK (RUS)	P1	P2	P3	0	2	6									
	$\frac{3}{8}$		P1	P2	P3	0	2	6	21	$\frac{3}{5}$	ABAEV ALIBEK (RUS)	P1	P2	P3	2	3	0
22	$\frac{3}{8}$	LALE HAKAN (TUR)	P1	P2	P3	0	2	6									
	$\frac{3}{8}$		P1	P2	P3	0	2	6	22	$\frac{1}{1}$	LALE HAKAN (TUR)	P1	P2	P3	0	1	0
23	$\frac{3}{8}$	GURBUZ MUSA (TUR)	P1	P2	P3	0	2	6									
	$\frac{3}{8}$		P1	P2	P3	0	2	6	23	$\frac{3}{5}$	GURBUZ MUSA (TUR)	P1	P2	P3	1	4	0
24	$\frac{3}{8}$	KIROV MIROSLAV (BUL)	P1	P2	P3	0	2	6									
	$\frac{3}{8}$		P1	P2	P3	0	2	6	24	0	KIROV MIROSLAV (BUL)	P1	P2	P3	0	0	0
25	$\frac{3}{8}$	SOBIERAY ADAM (POL)	P1	P2	P3	0	2	6									
	$\frac{3}{8}$		P1	P2	P3	0	2	6	25	$\frac{1}{3}$	SOBIERAY ADAM (POL)	P1	P2	P3	1	2	0
26	$\frac{3}{8}$	SEMOV CEMEHOS (RUS)	P1	P2	P3	0	2	6									
	$\frac{3}{8}$		P1	P2	P3	0	2	6	26	$\frac{3}{4}$	SEMOV CEMEHOS (RUS)	P1	P2	P3	2	1	1
27	$\frac{3}{8}$	TUYLU MEHMET (TUR)	P1	P2	P3	0	2	6									
	$\frac{3}{8}$		P1	P2	P3	0	2	6	27	0	TUYLU MEHMET (TUR)	P1	P2	P3	0	0	0
28	$\frac{3}{2}$	KASAPOGLU MUSTAFA (TUR)	P1	P2	P3	1	1	0									
	$\frac{3}{2}$		P1	P2	P3	1	1	0	28	$\frac{3}{2}$	KASAPOGLU MUSTAFA (TUR)	P1	P2	P3	1	1	0
29	0	ZAKIROV ZHIGER (KAZ)	P1	P2	P3	1	0	0									
	0		P1	P2	P3	1	0	0	29	0	ZAKIROV ZHIGER (KAZ)	P1	P2	P3	0	0	0
30	0	COSKUN ENDER (TUR)	P1	P2	P3	0	0	0									
	0		P1	P2	P3	0	0	0	30	0	COSKUN ENDER (TUR)	P1	P2	P3	0	0	0
31	$\frac{3}{2}$	ROGISZ TOMASZ (POL)	P1	P2	P3	1	1	0									
	$\frac{3}{2}$		P1	P2	P3	1	1	0	31	0	ROGISZ TOMASZ (POL)	P1	P2	P3	0	0	0
32	$\frac{3}{2}$	GENTRY MATTHEW (CAN)	P1	P2	P3	1	1	0									
	$\frac{3}{2}$		P1	P2	P3	1	1	0	32	$\frac{3}{10}$	GENTRY MATTHEW (CAN)	P1	P2	P3	6	4	0
33	1	SIVTSEV KUZMA (RUS)	P1	P2	P3	0	1	0									
	1		P1	P2	P3	0	1	0	33	1	SIVTSEV KUZMA (RUS)	P1	P2	P3	0	1	0
34	$\frac{3}{2}$	GIORGI M. (GEO)	P1	P2	P3	1	0	1									
	$\frac{3}{2}$		P1	P2	P3	1	0	1	34	$\frac{3}{4}$	GIORGI M. (GEO)	P1	P2	P3	1	1	2
35	1	BEZOZOWSKI K. (POL)	P1	P2	P3	0	1	0									
	1		P1	P2	P3	0	1	0	35	1	BEZOZOWSKI K. (POL)	P1	P2	P3	0	1	0
36	$\frac{3}{2}$	OZMEN ABDULKADIR (TUR)	P1	P2	P3	1	1	0									
	$\frac{3}{2}$		P1	P2	P3	1	1	0	36	$\frac{1}{5}$	OZMEN ABDULKADIR (TUR)	P1	P2	P3	0	3	2
37	0	SATYBALDIN ILYAS (KAZ)	P1	P2	P3	0	0	0									
	0		P1	P2	P3	0	0	0	37	0	SATYBALDIN ILYAS (KAZ)	P1	P2	P3	0	0	0



Feuille de compétition / Competition Sheet

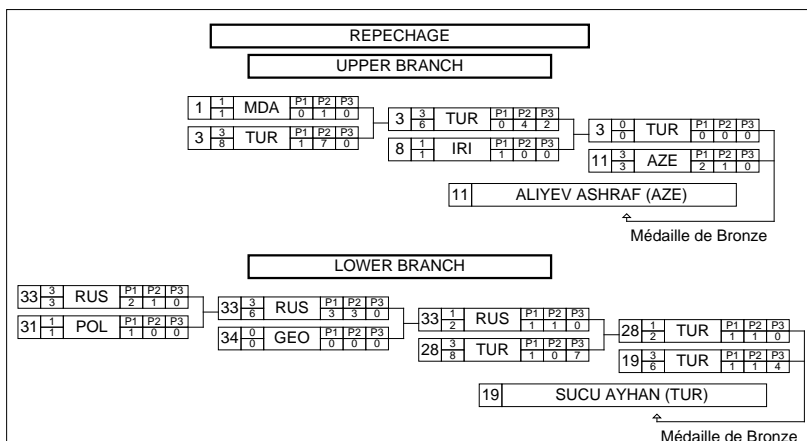
40TH INTERNATIONAL YASAR DOGU WRESTLING TOURNAMENT

STYLE : FS 74 kg



Classement

Cl	Pays	Nom
1	CAN	GENTRY MATTHEW
2	TUR	DEMIRTAS SONER
3	AZE	ALIYEV ASHRAF
3	TUR	SUCU AYHAN
5	TUR	DEMIRCI BATUHAN
5	TUR	KASAPOGLU MUSTAFA
7	TUR	GURBUZ MUSA
8	IRI	SHARIATY ADL AMIR
9	RUS	SIVTSEV KUZMA
10	KAZ	IZBASSAROV BAHHTIVAR
11	GEO	GIORGI MARSAGISHVILI
12	TUR	ALTIN ABDULHAMIT
13	IRI	AFZALI PAEMAMI REZA
14	TUR	OZMEN ABDULKADIR
15	TUR	DEMIR MUHAMMET
16	TUR	KACMAZ ERHAN
17	POL	ROGISZ TOMASZ
18	RUS	ABAEV ALIBEK
19	RUS	SEME NOV CEMEHO S
20	MDA	DERMENJI ROMAN





40

Classement

TH INTERNATIONAL YASAR DOGU WRESTLING TOURNAMENT



STYLE : FS 74 kg

1 - Or / Gold



GENTRY MATTHEW

2 - Argent / Silver



DEMIRTAS SONER

3 - Bronze



ALIYEV ASHRAF



SUCU AYHAN

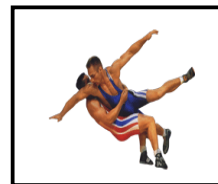
Classement	Nom - Name	Pays - Country
1	GENTRY MATTHEW	CAN
2	DEMIRTAS SONER	TUR
3	ALIYEV ASHRAF	AZE
3	SUCU AYHAN	TUR
5	DEMIRCIN BATUHAN	TUR
5	KASAPOGLU MUSTAFA	TUR
7	GURBUZ MUSA	TUR
8	SHARIATY ADL AMIR	IRI
9	SIVTSEV KUZMA	RUS
10	IZBASSAROV B.	KAZ
11	GIORGI M.	GEO
12	ALTIN ABDULHAMIT	TUR
13	AFZALI PAEMAMI REZA	IRI
14	OZMEN ABDULKADIR	TUR
15	DEMIR MUHAMMET	TUR
16	KACMAZ ERHAN	TUR
17	ROGISZ TOMASZ	POL
18	ABAEV ALIBEK	RUS
19	SEMOV CEMEHOS	RUS
20	DERMENJI ROMAN	MDA
21	SOBIERAY ADAM	POL
22	AKER KADIR	TUR
23	BOLAT YASIN	TUR
24	USBERBAYEV G.	KAZ
24	BEZOZOWSKI KRYSZTIAN	POL
26	CHERNOV OLEG	RUS
26	LALE HAKAN	TUR
28	KOSE YUSUF	TUR
28	CATAL SERDAR	TUR
30	DILBER HAMZA	TUR



Classement

40TH INTERNATIONAL YASAR DOGU WRESTLING TOURNAMENT

STYLE : FS 74 kg



<i>Classement</i>	<i>Nom - Name</i>	<i>Pays - Country</i>
31	ZAKIROV ZHIGER	KAZ
32	KARA NAZIM	TUR
33	SATYBALDIN ILYAS	KAZ
33	TUYLU MEHMET	TUR
33	COSKUN ENDER	TUR
36	DAMA ZAFER	TUR
37	KIROV MIROSLAV	BUL



Feuille de compétition / Competition Sheet

40TH INTERNATIONAL YASAR DOGU WRESTLING TOURNAMENT



STYLE : FS 84 kg

QUALIFICATION			1/8 FINALE			1/4 FINALE			1/2 FINALE			FINALE		
1		OZKAN MURAT (TUR)				1	3	TUR	P1	P2	P3			
2		HASSEMAN J. (USA)				2	1	USA	P1	P2	P3			
3	3	ONGARBAIOLY ALTAY (KAZ)	P1	P2	P3	3	1	KAZ	P1	P2	P3			
	10		1	5	4									
4	1	BOLUKBASI IBRAHIM (TUR)	P1	P2	P3	5	0	TUR	P1	P2	P3			
	5		3	1	1									
5	3	AKBAS KUBILAY (TUR)	P1	P2	P3	5	3	TUR	P1	P2	P3			
	3		0	2	1									
6	1	CEYLAN NUH (TUR)	P1	P2	P3	8	3	IRI	P1	P2	P3			
	2		1	1	0									
7	0	BARANOHSI Z. (POL)	P1	P2	P3	8	3	IRI	P1	P2	P3			
	0		0	0	0									
8	3	MIRZAEI JAMAL (IRI)	P1	P2	P3	10	1	TUR	P1	P2	P3			
	2		1	1	0									
9	1	MARAD ZOIDZE (GEO)	P1	P2	P3	10	1	TUR	P1	P2	P3			
	1		0	1	0									
10	3	CEYLAN HAKKI (TUR)	P1	P2	P3	12	1	TUR	P1	P2	P3			
	8		4	4	0									
11	1	KAKHIDZE AZLAN (KAZ)	P1	P2	P3	12	1	TUR	P1	P2	P3			
	1		1	0	0									
12	3	BINICI FIRAT (TUR)	P1	P2	P3	12	7	TUR	P1	P2	P3			
	3		1	2	0									
13	3	BAIDUASHOV YERMEK (KAZ)	P1	P2	P3	13	0	KAZ	P1	P2	P3			
	10		3	7	0									
14	0	SOFRONOV ALEXANDER (RUS)	P1	P2	P3	13	3	KAZ	P1	P2	P3			
	0		0	0	0									
15	3	KORKMAZ NAMIK (TUR)	P1	P2	P3	15	0	TUR	P1	P2	P3			
	4		1	3	0									
16	0	AKHANOV DULAT (KAZ)	P1	P2	P3	18	0	POL	P1	P2	P3			
	0		0	0	0									
17	1	IMAMOGLU ALI (TUR)	P1	P2	P3	18	3	POL	P1	P2	P3			
	2		1	1	0									
18	3	BALAWENDER MACIEY (POL)	P1	P2	P3	21	3	TUR	P1	P2	P3			
	4		3	0	1									
19	5	GAVIN K. (USA)	P1	P2	P3	21	5	TUR	P1	P2	P3			
	6		1	5	0									
20	0	DOGAN ALI (TUR)	P1	P2	P3	21	3	TUR	P1	P2	P3			
	3		1	2	0									
21	5	BOKE SERDAR (TUR)	P1	P2	P3	21	6	TUR	P1	P2	P3			
	4		0	4	0									
22	0	DEMIRTAS BEKIR (TUR)	P1	P2	P3	26	3	IRI	P1	P2	P3			
	2		1	1	0									
23	1	CHAMSULVARAYEV C. (AZE)	P1	P2	P3	26	0	IRI	P1	P2	P3			
	3		0	3	0									
24	3	BILICI AHMET (TUR)	P1	P2	P3	27	0	TUR	P1	P2	P3			
	10		1	9	0									
25	1	CIHANGIROGLU ERHAN (TUR)	P1	P2	P3	27	3	IRI	P1	P2	P3			
	1		1	0	0									
26	3	MOSTAJOUKAR M. (IRI)	P1	P2	P3	27	0	TUR	P1	P2	P3			
	4		2	2	0									
27	3	ERSAHIN MUHARREM (TUR)	P1	P2	P3	30	0	BUL	P1	P2	P3			
	3		1	0	2									
28	1	MARCINKIEWICZ R. (POL)	P1	P2	P3	30	3	BUL	P1	P2	P3			
	4		0	2	2									
29	0	GURMUZACHI ION (MDA)	P1	P2	P3									
	2		2	0	0									
30	5	MIHAIL GANEV (BUL)	P1	P2	P3									
	8		3	5	0									

8 MIRZAEI JAMAL (IRI)

Classement

Cl	Pays	Nom
1	IRI	MIRZAEI JAMAL
2	TUR	BOKE SERDAR
3	KAZ	BAIDUASHOV YERMEK
3	IRI	MOSTAJOUKAR MEISAM
5	TUR	OZKAN MURAT
5	POL	BALAWENDER MACIEY
7	USA	GAVIN KEITH MICHAEL
8	BUL	MIHAIL GANEV
9	TUR	AKBAS KUBILAY
10	TUR	CEYLAN HAKKI
11	TUR	BILICI AHMET
12	KAZ	ONGARBAIOLY ALTAY
13	TUR	BINICI FIRAT
14	TUR	KORKMAZ NAMIK
15	TUR	ERSAHIN MUHARREM
16	POL	BARANOHSI ZBIGNIEW
17	TUR	DEMIRTAS BEKIR
18	TUR	BOLUKBASI IBRAHIM
19	POL	MARCINKIEWICZ RADOSZAW
20	USA	HASSEMAN JEREMIAH BRYCE
21	AZE	CHAMSULVARAYEV CHAMSULVARAYEV
22	TUR	CEYLAN NUH
23	TUR	IMAMOGLU ALI
24	KAZ	KAKHIDZE AZLAN
25	TUR	CIHANGIROGLU ERHAN
26	GEO	MARAD ZOIDZE
27	TUR	DOGAN ALI
28	MDA	GURMUZACHI ION
29	KAZ	AKHANOV DULAT
30	RUS	SOFRONOV ALEXANDER

REPECHAGE

REPECHAGE FINALISTE 1

7	3	POL	P1	P2	P3	7	0	POL	P1	P2	P3	13	3	KAZ	P1	P2	P3
	2		0	1	1		0		0	0	0		8		7	1	0
10	1	TUR	P1	P2	P3	13	3	KAZ	P1	P2	P3	1	1	TUR	P1	P2	P3
	2		1	1	0		3		2	1	0		2		2	0	0

13 BAIDUASHOV YERMEK (KAZ)

Mdaille de Bronze

REPECHAGE FINALISTE 2

22	1	TUR	P1	P2	P3	19	0	USA	P1	P2	P3	18	1	POL	P1	P2	P3
	4		4	0	0		0		0	0	0		2		1	0	1
19	3	USA	P1	P2	P3	18	3	POL	P1	P2	P3	26	3	IRI	P1	P2	P3
	5		2	3	0		2		1	1	0		8		0	6	2

26 MOSTAJOUKAR M. (IRI)

Mdaille de Bronze



40

Classement

TH INTERNATIONAL YASAR DOGU WRESTLING TOURNAMENT



STYLE : FS 84 kg

1 - Or / Gold



MIRZAEI JAMAL

2 - Argent / Silver



BOKE SERDAR

3 - Bronze



BAIDUASHOV YERMEK MOSTAJOUKAR MEISAM

Classement	Nom - Name	Pays - Country
1	MIRZAEI JAMAL	IRI
2	BOKE SERDAR	TUR
3	BAIDUASHOV YERMEK	KAZ
3	MOSTAJOUKAR M.	IRI
5	OZKAN MURAT	TUR
5	BALAWENDER MACIEY	POL
7	GAVIN KEITH MICHAEL	USA
8	MIHAIL GANEV	BUL
9	AKBAS KUBILAY	TUR
10	CEYLAN HAKKI	TUR
11	BILICI AHMET	TUR
12	ONGARBAIOLY ALTAY	KAZ
13	BINICI FIRAT	TUR
14	KORKMAZ NAMIK	TUR
15	ERSAHIN MUHARREM	TUR
16	BARANOAHSI ZBIGNIEW	POL
17	DEMIRTAS BEKIR	TUR
18	BOLUKBASI IBRAHIM	TUR
19	MARCINKIEWICZ R.	POL
20	HASSEMAN J.	USA
21	CHAMSULVARAYEV C.	AZE
22	CEYLAN NUH	TUR
23	IMAMOGLU ALI	TUR
24	KAKHIDZE AZLAN	KAZ
25	CIHANGIROGLU ERHAN	TUR
26	MARAD ZOIDZE	GEO
27	DOGAN ALI	TUR
28	GURMUZACHI ION	MDA
29	AKHANOV DULAT	KAZ
30	SOFRONOV ALEXANDER	RUS



Feuille de compétition / Competition Sheet

40TH INTERNATIONAL YASAR DOGU WRESTLING TOURNAMENT



STYLE : FS 96 kg

QUALIFICATION			1/8 FINALE			1/4 FINALE			1/2 FINALE			FINALE																	
1		SHARIFOV SARIF (AZE)				1	3	AZE	P1	P2	P3	1	3	AZE	P1	P2	P3	1	3	AZE	P1	P2	P3	1	0	AZE	P1	P2	P3
							4		2	2	0		8		2	6	0		7		3	4	0		0		0	0	0
2		MAMUKA KORDZAIA (GEO)				2	0	GEO	P1	P2	P3																		
							0		0	0	0																		
3		CEBAN NICILAE (MDA)				3	0	MDA	P1	P2	P3	4	1	TUR	P1	P2	P3												
							0		0	0	0		2		2	0	0												
4		AKKOYUN FARUK (TUR)				4	3	TUR	P1	P2	P3																		
							2		1	1	0																		
5		ARSLANBEK ALIEV (RUS)				5	0	RUS	P1	P2	P3	6	3	IRI	P1	P2	P3												
							0		0	0	0		13		5	3	5												
6		ABDOLMALEKI A. (IRI)				6	5	IRI	P1	P2	P3																		
							2		2	0	0																		
7		ZENGIN NURI (TUR)				7	0	TUR	P1	P2	P3	8	1	TUR	P1	P2	P3												
							0		0	0	0		10		2	4	4												
8	5	KOSEOGLU HAMZA (TUR)	P1	P2	P3	8	3	TUR	P1	P2	P3																		
	0		0	0	0		2		1	1	0																		
9	0	YUCEL SERHAN (TUR)	P1	P2	P3	9	0	TUR	P1	P2	P3																		
	0		0	0	0		0		0	0	0																		
10	3	GOR KENAN (TUR)	P1	P2	P3	10	3	TUR	P1	P2	P3																		
	2		1	1	0		2		1	1	0																		
11	0	GUNGOR ABDULLAH (TUR)	P1	P2	P3	11	0	TUR	P1	P2	P3																		
	0		0	0	0		0		0	0	0																		
12	3	YAMAEV ALIKHAN (KAZ)	P1	P2	P3	12	1	KAZ	P1	P2	P3																		
	3		1	2	0		1		1	0	0																		
13	0	GUNDUZ HUSEYIN (TUR)	P1	P2	P3	13	0	TUR	P1	P2	P3																		
	0		0	0	0		0		0	0	0																		
14	3	SKASKIEWICZ KAMIL (POL)	P1	P2	P3	14	0	POL	P1	P2	P3																		
	3		0	2	1		0		0	0	0																		
15	1	DATO KERASHVILI (GEO)	P1	P2	P3	15	0	GEO	P1	P2	P3																		
	2		1	0	1		0		0	0	0																		
16	0	YAVASER GOKHAN (TUR)	P1	P2	P3	16	3	USA	P1	P2	P3																		
	0		0	0	0		10		7	3	0																		
17	5	BERGMAN J. (USA)	P1	P2	P3	17	3	USA	P1	P2	P3																		
	0		0	0	0		10		7	3	0																		
18	1	BARAN RADOSZAW (POL)	P1	P2	P3	18	3	AZE	P1	P2	P3																		
	1		0	1	0		7		1	6	0																		
19	3	GAZYUMOV KHETAG (AZE)	P1	P2	P3	19	3	AZE	P1	P2	P3																		
	3		2	1	0		4		1	3	0																		
20	1	TALEB IZARRINKAMAR H. (IRI)	P1	P2	P3	20	0	IRI	P1	P2	P3																		
	2		1	1	0		0		0	0	0																		
21	3	MUTLU MUREN (TUR)	P1	P2	P3	21	0	TUR	P1	P2	P3																		
	6		3	3	0		0		0	0	0																		
22	3	GEORGI SREDKOV (BUL)	P1	P2	P3	22	3	BUL	P1	P2	P3																		
	4		3	0	1		3		1	2	0																		
23	1	GOCER ISA (TUR)	P1	P2	P3	23	0	TUR	P1	P2	P3																		
	4		0	4	0		0		0	0	0																		
24	3	YILDIRIM RIZA (TUR)	P1	P2	P3	24	1	TUR	P1	P2	P3																		
	8		0	7	1		1		0	1	0																		
25	1	OZDEMIR MUSTAFA (TUR)	P1	P2	P3	25	1	TUR	P1	P2	P3																		
	3		1	2	0		1		0	1	0																		

19 GAZYUMOV KHETAG (AZE)

Classement

Cl	Pays	Nom
1	AZE	GAZYUMOV KHETAG
2	AZE	SHARIFOV SARIF
3	TUR	AKKOYUN FARUK
3	USA	BERGMAN JAMES DANIEL
5	IRI	ABDOLMALEKI ALI ASGHAR
5	BUL	GEORGI SREDKOV
7	TUR	KOSEOGLU HAMZA
8	TUR	GOR KENAN
9	TUR	YILDIRIM RIZA
10	POL	BARAN RADOSZAW
11	KAZ	YAMAEV ALIKHAN
12	TUR	MUTLU MUREN
13	POL	SKASKIEWICZ KAMIL
14	TUR	GOCER ISA
15	TUR	OZDEMIR MUSTAFA
16	GEO	DATO KERASHVILI
17	IRI	TALEB IZARRINKAMAR HAMED
18	GEO	MAMUKA KORDZAIA
19	TUR	YUCEL SERHAN
19	TUR	YAVASER GOKHAN
21	MDA	CEBAN NICILAE
21	TUR	ZENGIN NURI
21	TUR	GUNGOR ABDULLAH
24	TUR	GUNDUZ HUSEYIN

REPECHAGE

REPECHAGE FINALISTE 1

2	1	GEO	P1	P2	P3	4	3	TUR	P1	P2	P3
	2		1	1	0		7		1	0	6
4	3	TUR	P1	P2	P3	6	1	IRI	P1	P2	P3
	7		0	2	5		3		0	1	2

4 AKKOYUN FARUK (TUR)

Mdaille de Bronze

REPECHAGE FINALISTE 2

18	3	POL	P1	P2	P3	18	0	POL	P1	P2	P3	22	1	BUL	P1	P2	P3
	6		2	4	0		0		0	0	0		2		1	1	0
21	0	TUR	P1	P2	P3	22	3	BUL	P1	P2	P3	17	3	USA	P1	P2	P3
	0		0	0	0		2		1	1	0		2		1	1	0

17 BERGMAN J. (USA)

Mdaille de Bronze



40

Classement

TH INTERNATIONAL YASAR DOGU WRESTLING TOURNAMENT



STYLE : FS 96 kg

1 - Or / Gold



GAZYUMOV KHETAG

2 - Argent / Silver



SHARIFOV SARIF

3 - Bronze



AKKOYUN FARUK



BERGMAN JAMES DANIEL

Classement	Nom - Name	Pays - Country
1	GAZYUMOV KHETAG	AZE
2	SHARIFOV SARIF	AZE
3	AKKOYUN FARUK	TUR
3	BERGMAN J.	USA
5	ABDOLMALEKI A.	IRI
5	GEORGI SREDKOV	BUL
7	KOSEOGLU HAMZA	TUR
8	GOR KENAN	TUR
9	YILDIRIM RIZA	TUR
10	BARAN RADOSZAW	POL
11	YAMAEV ALIKHAN	KAZ
12	MUTLU MUREN	TUR
13	SKASKIEWICZ KAMIL	POL
14	GOCER ISA	TUR
15	OZDEMIR MUSTAFA	TUR
16	DATO KERASHVILI	GEO
17	TALEB IZARRINKAMAR H.	IRI
18	MAMUKA KORDZAIA	GEO
19	YUCEL SERHAN	TUR
19	YAVASER GOKHAN	TUR
21	CEBAN NICILAE	MDA
21	ZENGIN NURI	TUR
21	GUNGOR ABDULLAH	TUR
24	GUNDUZ HUSEYIN	TUR



Feuille de compétition / Competition Sheet

40TH INTERNATIONAL YASAR DOGU WRESTLING TOURNAMENT



STYLE : FS 120 kg

QUALIFICATION		1/8 FINALE	1/4 FINALE	1/2 FINALE	FINALE
1	YESIL YESIL MEHMET (TUR)				
2	CEGISOV ASLAN (AZE)				
3	KILIC YASIN (TUR)				
4	DIMITAR KUMCHEV (BUL)				
5	TIMOFEEV UVAR (RUS)				
6	AIKHANOV SEULSEIT (KAZ)				
7	GURBUZ ALI (TUR)				
8	MASOMI FARDIN (IRI)				
9	BOZKURT SAKIR (TUR)				
10	SOZEN YALCIN (TUR)				
11	AKGUL TAHA (TUR)				
12	BARTNICKI B. (POL)	P1 P2 P3 0 1 0			
13	AGIYEV MAGOMED (KAZ)	P1 P2 P3 1 1 0			
14	AYNUR OSMAN (TUR)	P1 P2 P3 1 1 0			
15	GEMICI TANJU (TUR)	P1 P2 P3 0 1 0			
16	KARABACAK Y.EMRE (TUR)	P1 P2 P3 0 0 0			
17	CAKIROGLU FATIH (TUR)	P1 P2 P3 2 3 0			
18	MOCCO STEVEN (USA)	P1 P2 P3 0 2 0			
19	SADEGHZADEH NOUKOLAEI J. (IRI)	P1 P2 P3 2 1 1			
20	LEVAN SETURIDZE (GEO)	P1 P2 P3 0 1 0			
21	SIGMAN L. (USA)	P1 P2 P3 3 5 0			

1	3	TUR	P1 P2 P3 1 1 3		
2	1	AZE	P1 P2 P3 1 0 1		
3	1	TUR	P1 P2 P3 3 3 0		
4	3	BUL	P1 P2 P3 0 5 6		
5	3	RUS	P1 P2 P3 4 2 0		
6	0	KAZ	P1 P2 P3 0 0 0		
7	1	TUR	P1 P2 P3 1 1 1		
8	3	IRI	P1 P2 P3 2 0 3		
9	3	TUR	P1 P2 P3 1 1 0		
10	0	TUR	P1 P2 P3 0 0 0		
11	3	TUR	P1 P2 P3 1 1 0		
12	0	KAZ	P1 P2 P3 0 0 0		
13	0	TUR	P1 P2 P3 0 0 0		
14	0	TUR	P1 P2 P3 0 0 0		
15	1	TUR	P1 P2 P3 0 4 0		
16	3	TUR	P1 P2 P3 3 5 0		
17	3	IRI	P1 P2 P3 6 2 2		
18	1	USA	P1 P2 P3 0 3 1		

1	1	TUR	P1 P2 P3 0 1 0		
4	1	BUL	P1 P2 P3 1 0 0		
4	1	BUL	P1 P2 P3 4 2 0		
5	0	RUS	P1 P2 P3 0 0 0		
8	3	IRI	P1 P2 P3 6 2 0		
8	3	IRI	P1 P2 P3 1 3 0		
9	0	TUR	P1 P2 P3 0 0 0		
11	3	TUR	P1 P2 P3 2 3 0		
11	3	TUR	P1 P2 P3 2 3 0		
11	3	TUR	P1 P2 P3 2 2 0		
19	0	IRI	P1 P2 P3 0 0 0		
19	3	IRI	P1 P2 P3 1 4 0		

8	0	IRI	P1 P2 P3 0 0 0		
8	0	IRI	P1 P2 P3 0 0 0		
11	3	TUR	P1 P2 P3 2 3 0		
11	3	TUR	P1 P2 P3 2 2 0		

11	0	IRI	P1 P2 P3 0 0 0		
11	3	TUR	P1 P2 P3 2 3 0		

11	0	IRI	P1 P2 P3 0 0 0		
11	3	TUR	P1 P2 P3 2 2 0		

11 AKGUL TAHA (TUR)

Classement

Cl	Pays	Nom
1	TUR	AKGUL TAHA
2	IRI	MASOMI FARDIN
3	TUR	GURBUZ ALI
3	IRI	SADEGHZADEH NOUKOLAEI JABER
5	TUR	BOZKURT SAKIR
5	BUL	DIMITAR KUMCHEV
7	TUR	CAKIROGLU FATIH
8	USA	SIGMAN LES EVERETTE
9	TUR	YESIL YESIL MEHMET
10	KAZ	AGIYEV MAGOMED
11	RUS	TIMOFEEV UVAR
12	TUR	AYNUR OSMAN
13	TUR	KILIC YASIN
14	USA	MOCCO STEVEN
15	AZE	CEGISOV ASLAN
16	TUR	GEMICI TANJU
16	POL	BARTNICKI BARTZOMIEY
18	GEO	LEVAN SETURIDZE
19	TUR	SOZEN YALCIN
20	TUR	KARABACAK Y.EMRE
21	KAZ	AIKHANOV SEULSEIT

REPECHAGE			
REPECHAGE FINALISTE 1			
7	3	TUR	P1 P2 P3 3 4 0
5	0	RUS	P1 P2 P3 0 0 0
7	3	TUR	P1 P2 P3 2 4 0
4	1	BUL	P1 P2 P3 2 0 0
7		GURBUZ ALI (TUR)	
Mdaille de Bronze			
REPECHAGE FINALISTE 2			
13	1	KAZ	P1 P2 P3 1 0 0
9	3	TUR	P1 P2 P3 0 1 1
9	3	IRI	P1 P2 P3 1 3 0
19	3	IRI	P1 P2 P3 1 3 0
19		SADEGHZADEH NOUKOLAEI J. (IRI)	
Mdaille de Bronze			

Classement**40TH INTERNATIONAL YASAR DOGU WRESTLING TOURNAMENT**

STYLE : FS 120 kg

1 - Or / Gold

AKGUL TAHA

2 - Argent / Silver

MASOMI FARDIN

3 - Bronze

GURBUZ ALI SADEGHZADEH NOUKOLAEI JABER

<i>Classement</i>	<i>Nom - Name</i>	<i>Pays - Country</i>
1	AKGUL TAHA	TUR
2	MASOMI FARDIN	IRI
3	GURBUZ ALI	TUR
3	SADEGHZADEH NOUKOLAEI J.	IRI
5	BOZKURT SAKIR	TUR
5	DIMITAR KUMCHEV	BUL
7	CAKIROGLU FATIH	TUR
8	SIGMAN LES EVERETTE	USA
9	YESIL YESIL MEHMET	TUR
10	AGIYEV MAGOMED	KAZ
11	TIMOFEEV UVAR	RUS
12	AYNUR OSMAN	TUR
13	KILIC YASIN	TUR
14	MOCCO STEVEN	USA
15	CEGISOV ASLAN	AZE
16	GEMICI TANJU	TUR
16	BARTNICKI B.	POL
18	LEVAN SETURIDZE	GEO
19	SOZEN YALCIN	TUR
20	KARABACAK Y.EMRE	TUR
21	AIKHANOV SEULSEIT	KAZ

